

VISU-Touch

Rugged and compact 7" capacitive Touch Screen. This universal PoE (Power over Ethernet) powered touch screen enables display of the integrated web interface of the connected ZUMBACH sensor device. Such as ODAC, ODEX and MSD diameter and ovality gauges, KW lump/neckdowns detectors, Spark Tester systems, RAYEX S systems among others. Devices without PoE can be powered via the separate 24V input connector.

Advantages / Features

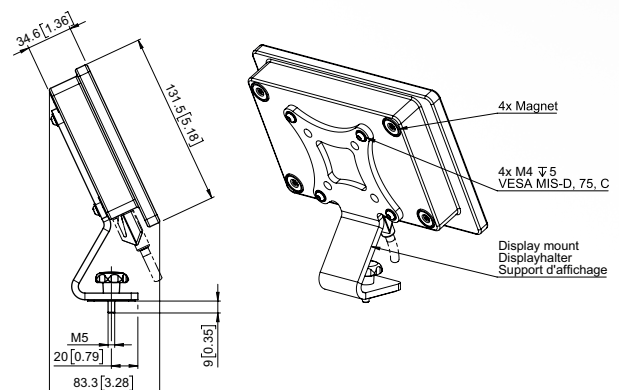
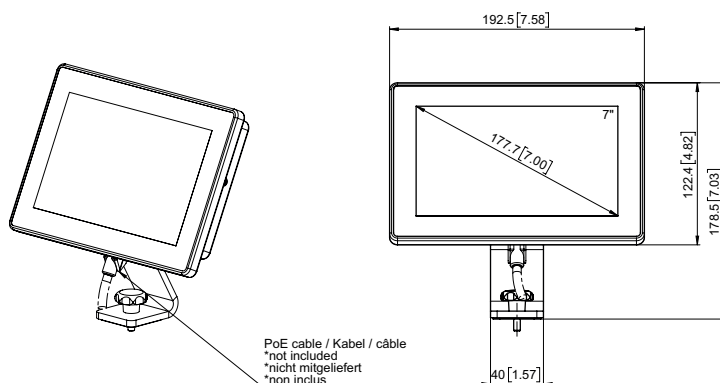
- Reactive performance
- Kiosk mode gives intuitive user friendliness
- Hot pluggable with just 1 standard Ethernet cable
- Up to 6 display characteristics – User definable
- Set point and tolerance inputs with colour variation for fast indication of in or out of specification
- Inbuilt terminal for extended device configuration/interrogation
- Can be used as localized display or remote networked display
- Base IP address can be re-configured to suit customized applications such as remote display within factory network
- Flexible use, compatible to all sensor devices without software/hardware adaptation

Main Data

Model	VISU-Touch
Panel type	7" LCD with LED backlight
Brightness	250 cd/m ²
Resolution	800x480
Contrast ratio	500 : 1
Touch screen	10 point Projected Capacitive Touch Screen
Viewing angle (H/V)	140°/130°
Operating temperature	0...70 °C (32...158 °F)
Storage temperature	-10...80 °C (14...176 °F)
CPU / Memory	1.2 GHz 64-bit quad-core ARM Cortex-A53 / 1GB LPDDR2
Storage	microSD
Interface	Ethernet TCP/IP, PoE
Mounting	VESA Mount, 50x50 mm (1.97 x 1.97 in.)
Dimensions W x H x D	192.5 x 122.4 x 34.6 mm (7.58 x 4.82 x 1.36 in.)
Power consumption	10 Watt Typical, Normal Operation
Power input	24VDC input, PoE (36...57VDC)
Weight	1 kg (2.2 lbs.)



Further devices ready for VISU-Touch display



• Dimensions in mm (inch)

Switzerland (H.Q.): ZUMBACH Electronic AG, P.O. Box, CH-2552 Orpund, Phone +41(0)32 356 04 00, Fax +41(0)32 356 04 30, E-Mail: sales@zumbach.ch
Switzerland • Benelux • China • Czech Republic • France • Germany • India • Italy • Spain • Taiwan • United Kingdom • USA

www.zumbach.com

