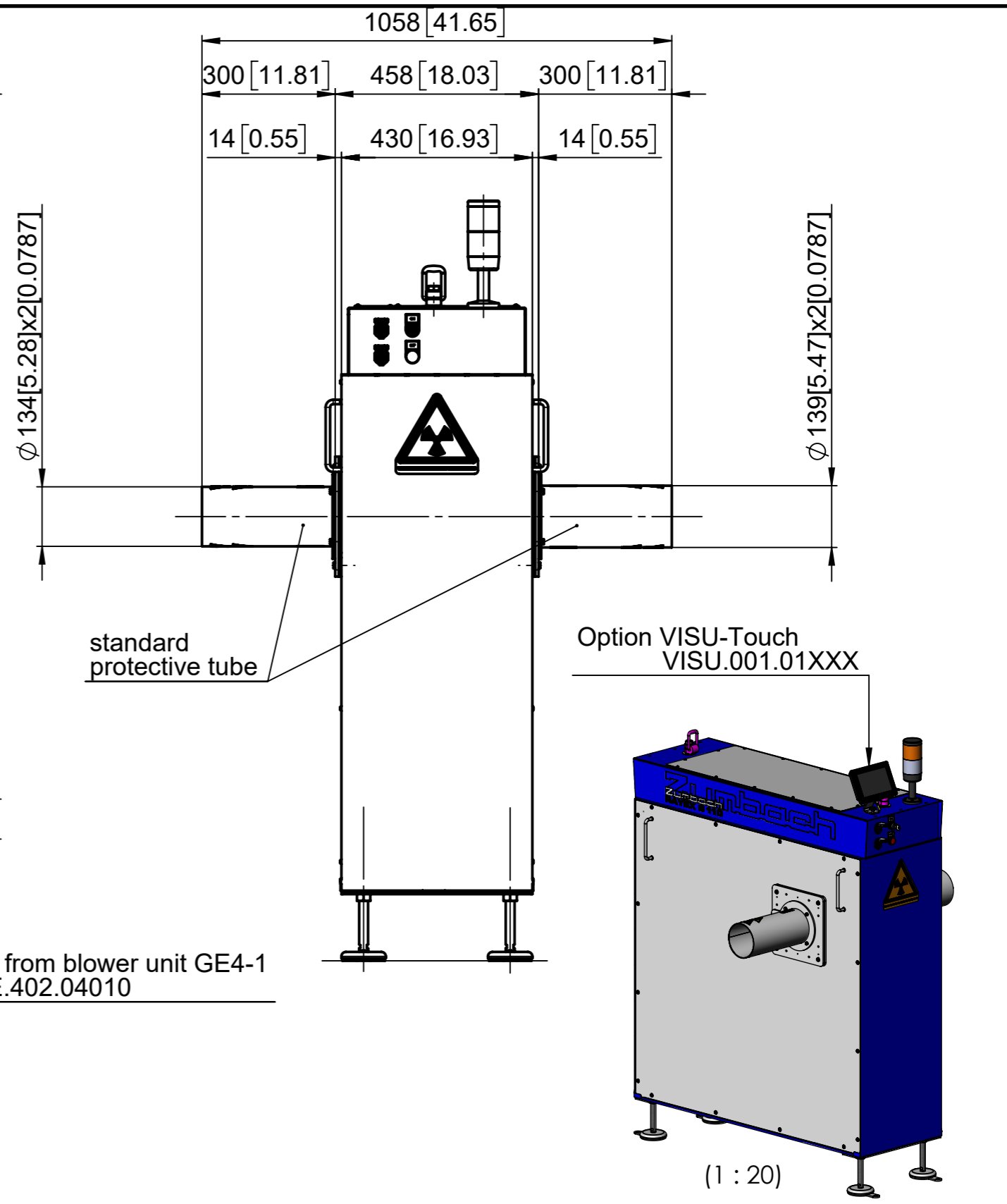
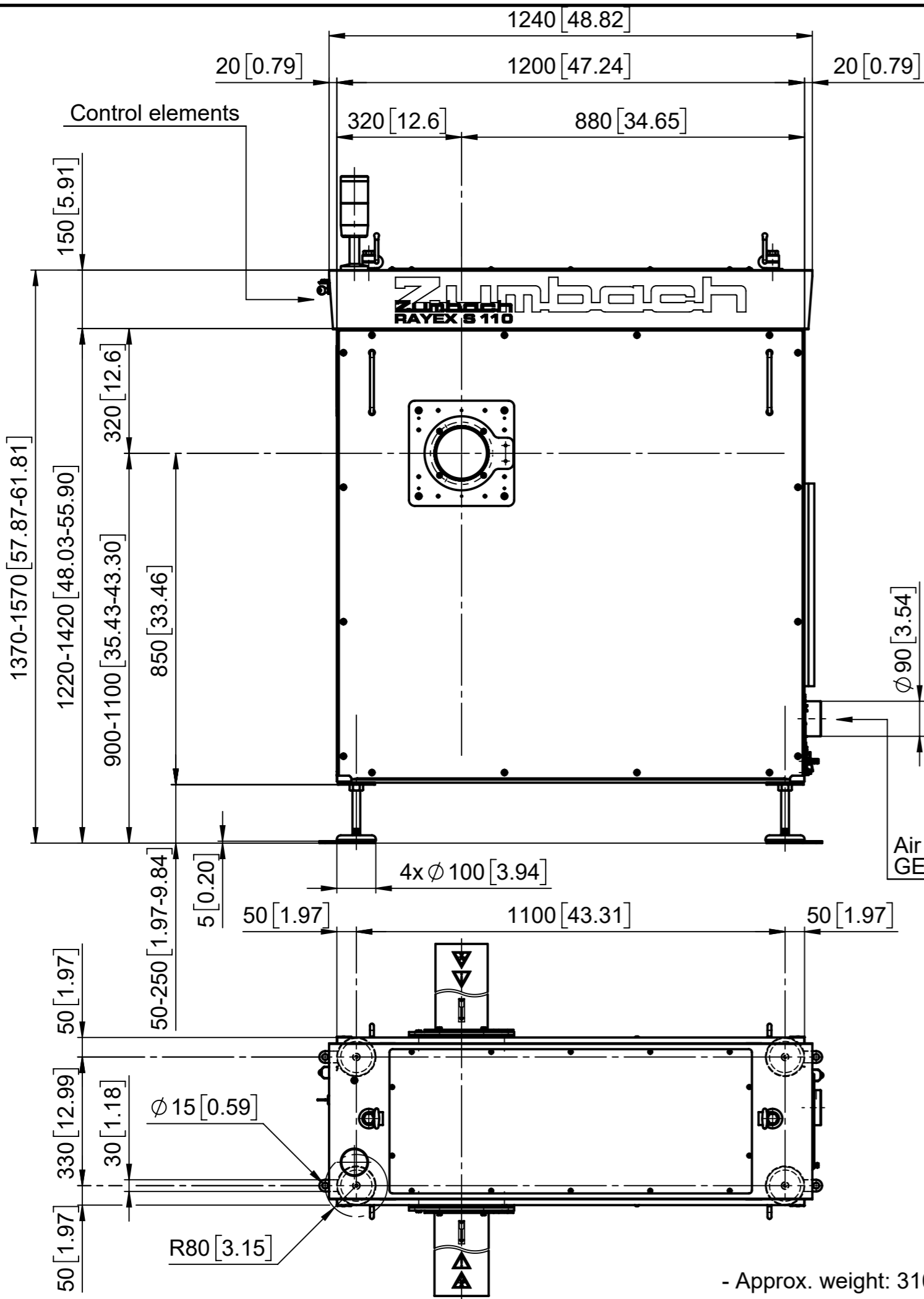



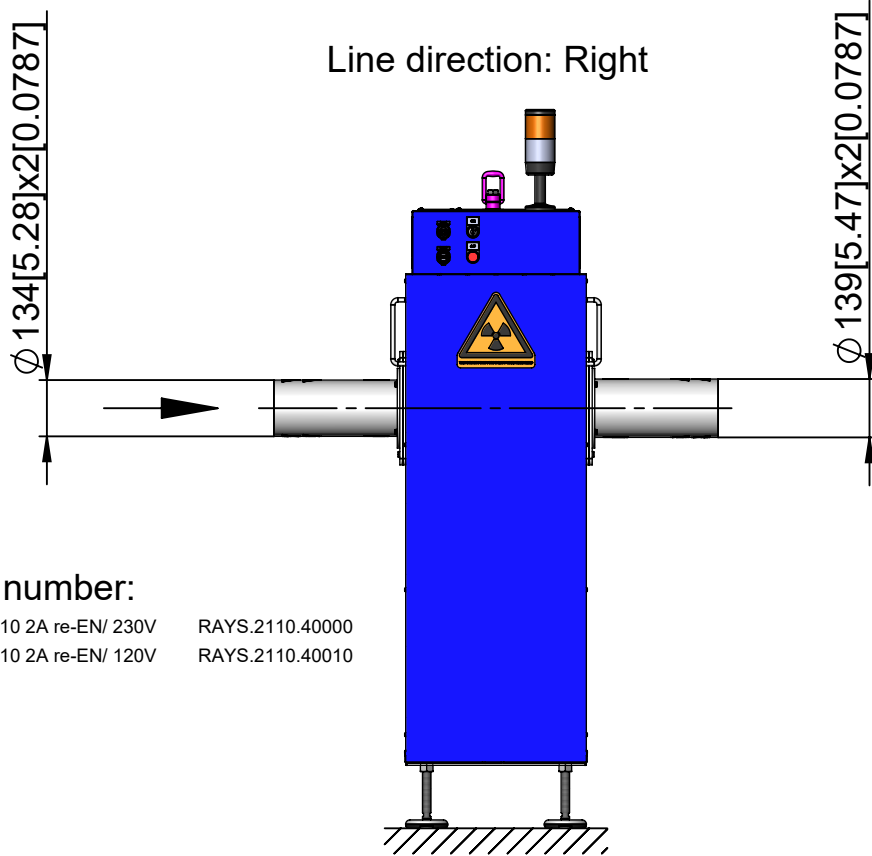
This document, its contents, and the technology described are strictly confidential. It is provided for assistance to Zumbach customers and vendors only. It may not be copied, reproduced, or passed on to third parties without express, written permission from Zumbach Electronic AG.



MEASURING UNIT MESSEINHEIT UNITE DE MESURE			RAYEX S 110					
Subject to modifications Änderungen vorbehalten Sous réserve de modifications							Dimensions in mm [in] Masse in mm [in] Dimensions en mm [in]	Article number RAYS.2110._____
 Zumbach SWISS PRIME MEASURING SINCE 1957			Tel.: +41 (0)32 356 04 00 Email: sales@zumbach.ch www.zumbach.com CH-2552 Orpund, Switzerland		Drawing number RAYS.030.M.1000.1			

- Approx. weight: 310kg

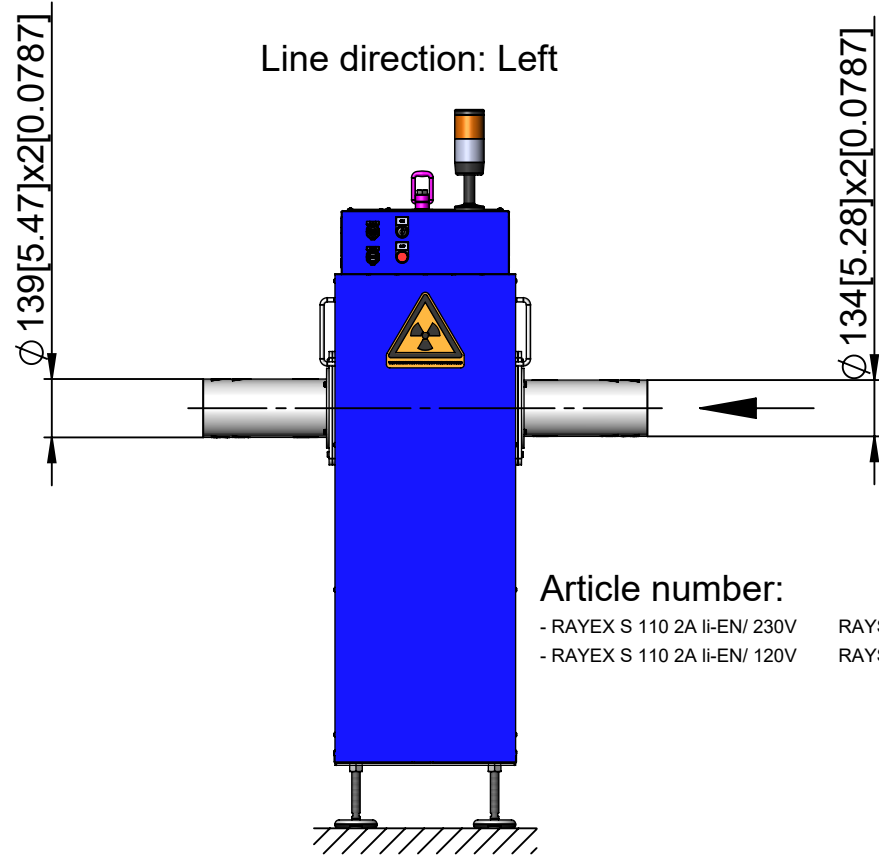
Line direction: Right



Article number:

- RAYEX S 110 2A re-EN/ 230V RAYS.2110.40000
- RAYEX S 110 2A re-EN/ 120V RAYS.2110.40010

Line direction: Left



Article number:

- RAYEX S 110 2A li-EN/ 230V RAYS.2110.40100
- RAYEX S 110 2A li-EN/ 120V RAYS.2110.40110

MEASURING UNIT			RAYEX S 110			
MESSEINHEIT						
UNITE DE MESURE						
Subject to modifications Änderungen vorbehalten Sous réserve de modifications	Dimensions in mm [in] Masse in mm [in] Dimensions en mm [in]	Article number RAYS.2110._____	Projection 	Scale 1:18	Name J.-C. Gisiger	Date 19.11.2020
 SWISS PRIME MEASURING SINCE 1957		Tel.: +41 (0)32 356 04 00 Email: sales@zumbach.ch www.zumbach.com CH-2552 Orpund, Switzerland	Drawing number RAYS.030.M.1000.1			